

✉ techsupport@loftek.us
 🌐 www.facebook.com/loftk.us/

LOFTEK

NOVA S Motion Motion-Sensor Floodlight

www.loftek.us

LOFTEK

Introduction

Thank you for choosing LOFTEK! In the interest of safe and more enjoyable use, please read this user manual carefully before operating your device.

The LOFTEK motion-sensor floodlight is an advanced LED fixture designed for outdoor/indoor and commercial applications. With a precision infrared motion sensor, a max 2400-lumen output, and an LED light source that never needs replacing, the Nova S Motion-Sensor Floodlight gives you and your family much-needed peace of mind. With the enhanced efficiency of LED, you can enjoy lifetime use while saving up to 80-90% in energy costs over traditional light sources.

Quick-Use Instructions

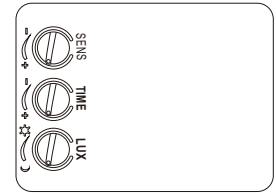
NOTE: If you want to remove the Nova's plug, please ensure that your light is properly installed by a qualified electrician or knowledgeable individual before use.

1

www.loftek.us

LOFTEK

1. Rotate the "TIME" dial clockwise to the minimum setting.
2. Rotate the "SENS" dial counter-clockwise to the maximum setting.
3. Rotate the "LUX" dial clockwise to the daylight (sun) setting.
4. Move around in front of the sensor and the light should turn on if you are in range.
5. Adjust the sensor and light orientations until you achieve desired setup.
6. Once you are satisfied with the setup, the TIME and LUX dials can be adjusted to the desired settings.



Detailed Use Instructions

TIME: The TIME control sets the light duration after activation and can be adjusted from a minimum of 5 seconds to a maximum of 7 minutes.

Rotating TIME counter-clockwise will increase the duration, while rotating it clockwise will shorten the duration.

techsupport@loftek.us

2

LOFTEK

Note: Once the light has been triggered by the PIR sensor, any subsequent movement detected will re-trigger the light, starting the activation duration again from the beginning.

LUX: The LUX control module contains a light-sensitive photocell sensor. The day (☀️) setting indicates that the floodlight will work during both day and night, while the night (🌙) setting only activates the light at night. To fine-tune, choose a time in which natural lighting conditions are to your liking (for example: dusk) and proceed to adjust the LUX dial while someone moves within the scanning area until the security light reliably activates in those lighting conditions.

Specifications

Series	NOVA S
Rated Power	30W
Input Voltage	AC 85-265V
Luminous Flux	2400lm

3

www.loftek.us

LOFTEK

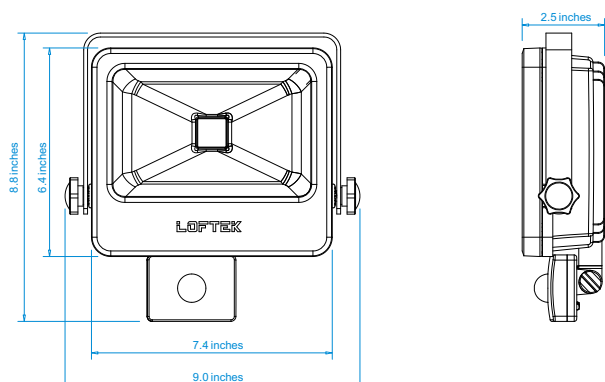
Beam Angle	120°
Housing Material	Aluminum&Iron
Life Span	~40,000 hours
Detection Range	Max 33 feet
Light Duration	5s-7min
Dimming	No
CCT	5000-5500K
CRI	>70
IEC rating	Light Body: IP 66 Sensor: IP 54
Cable	UL 817; 5 feet
Wiring Mode	Brown/Black—Live (L) Blue/White—Neutral (N) Yellow/Green—Earth (GND)

techsupport@loftek.us

4

LOFTEK

Product Structure



Cleaning and Maintenance

Do not use cleaning chemicals or abrasive substances clean any part of the device. For routine cleaning you should use a soft, lint-free cloth gently wipe off any dust and light dirt. Always disconnect the product from power source before cleaning.

5

www.loftek.us

LOFTEK

LOFTEK Warranty

LOFTEK products are manufactured with the highest possible quality and tested extensively before sale. All products are covered by a limited warranty of 12 months from the date of purchase. If you encounter any manufacturing issues during this period, feel free to visit www.loftek.us or contact us at techsupport@loftek.us.

techsupport@loftek.us

6